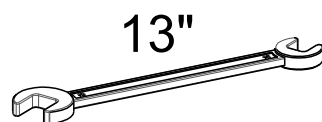
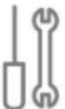
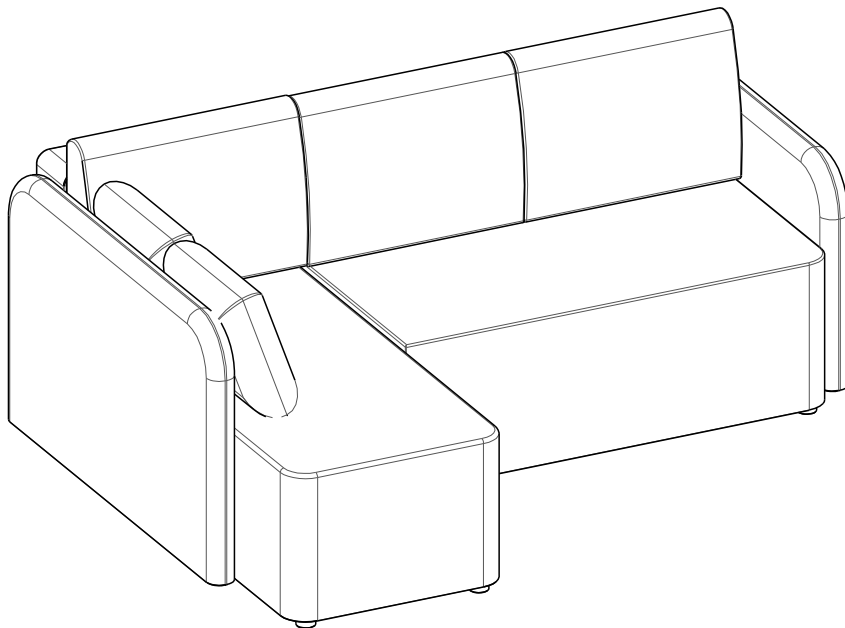
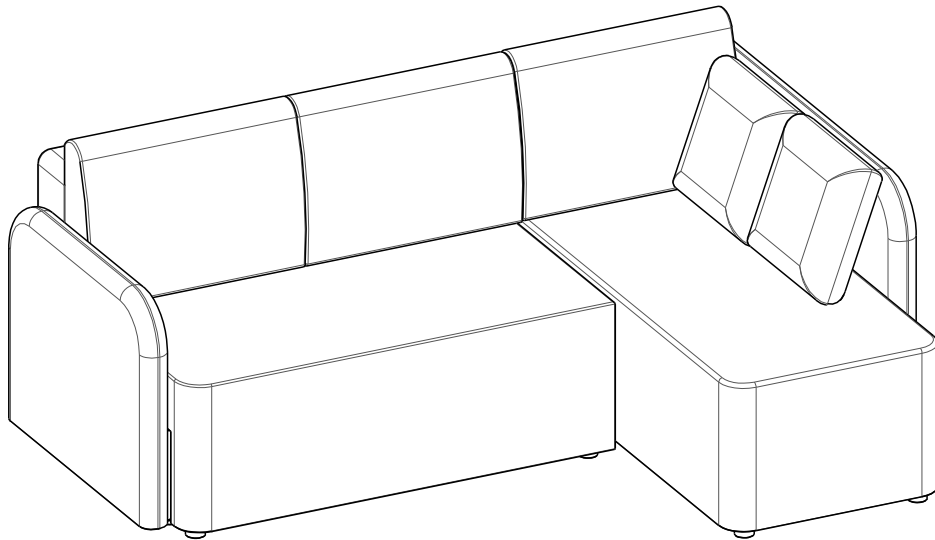
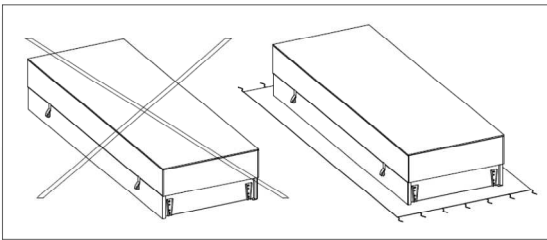


# HADSON

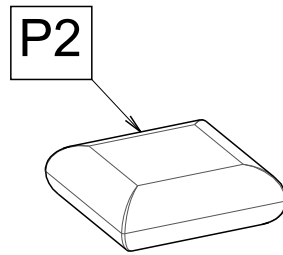
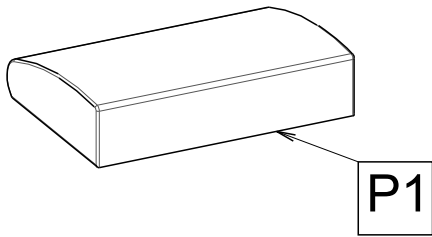


30min

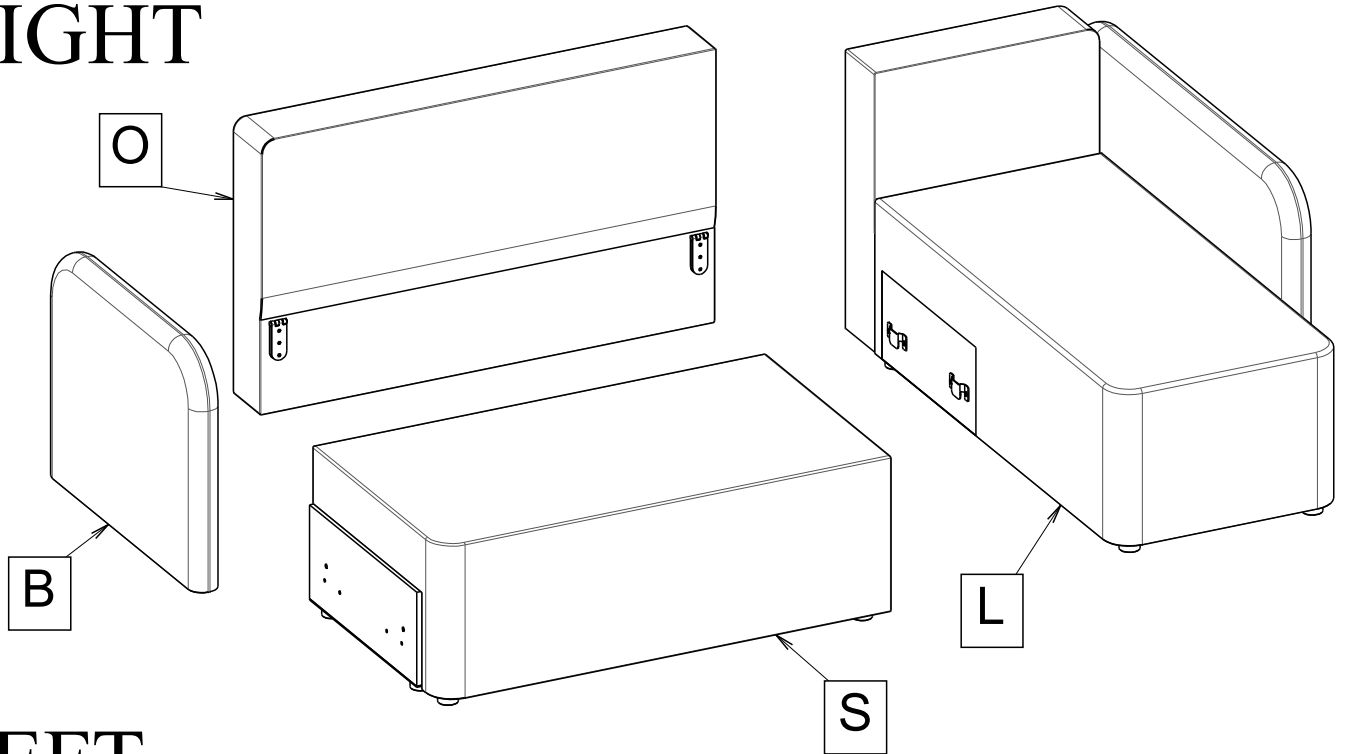
1/8



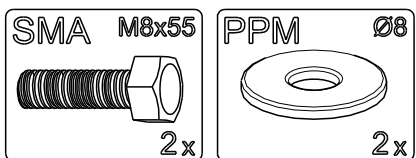
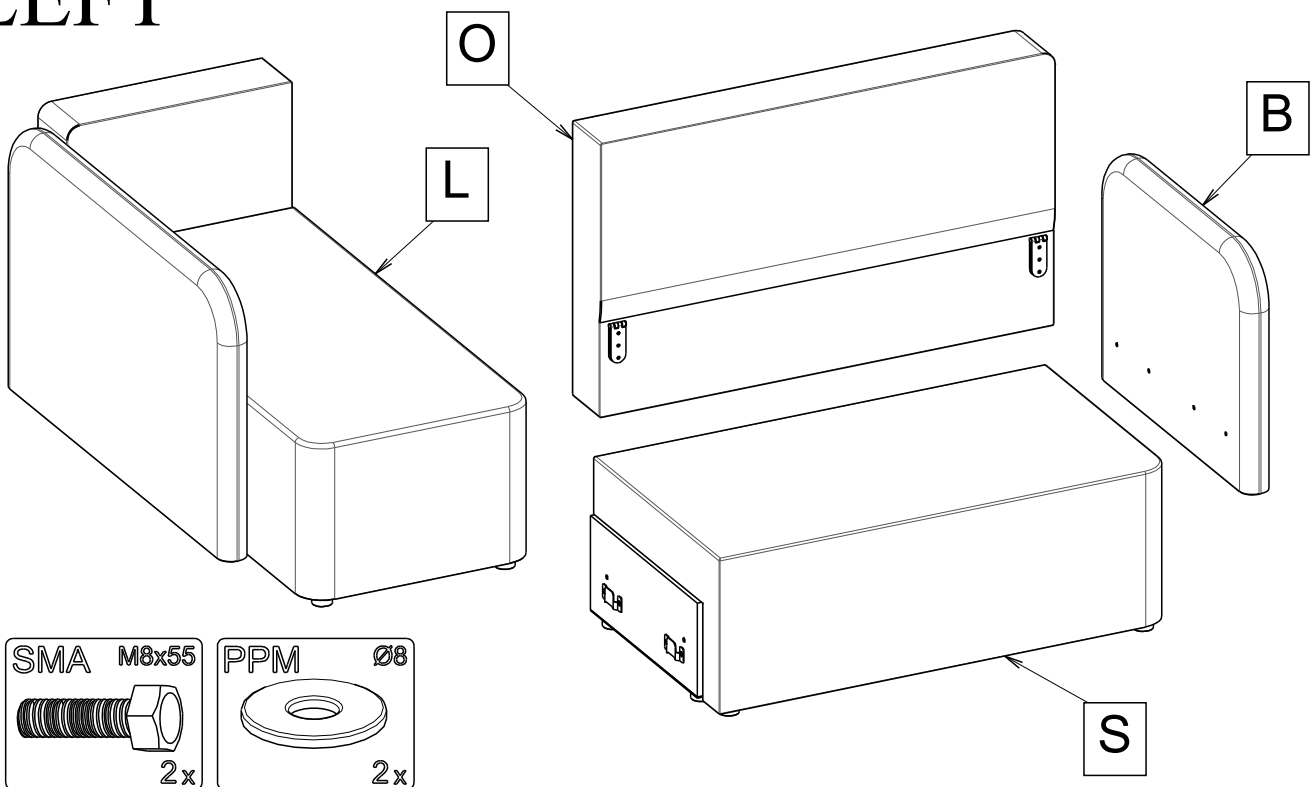
O	1x
S	1x
B	1x
L	1x
P1	3x
P2	2x



# RIGHT

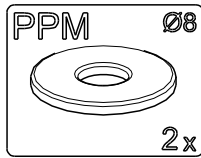
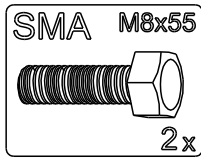


# LEFT

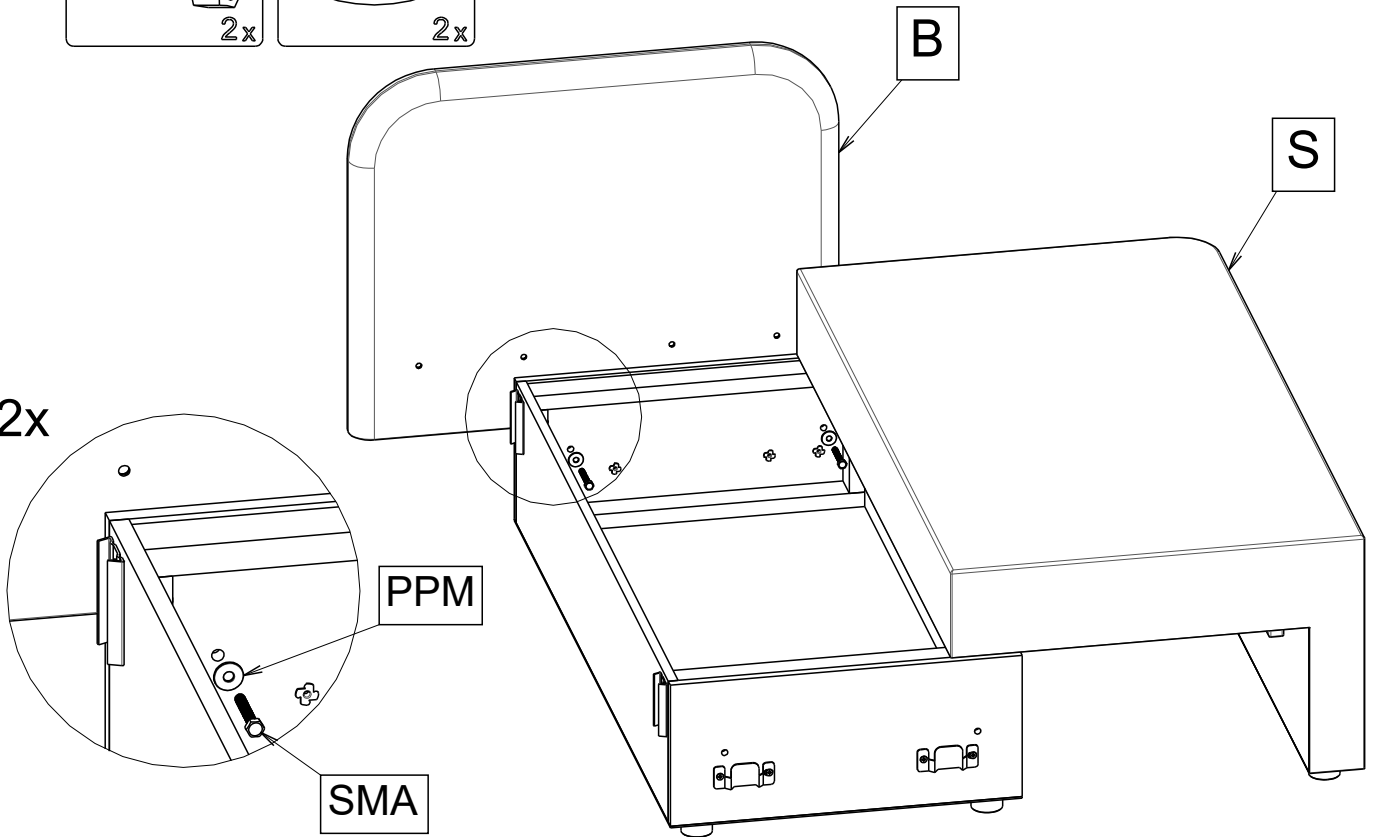


# LEFT

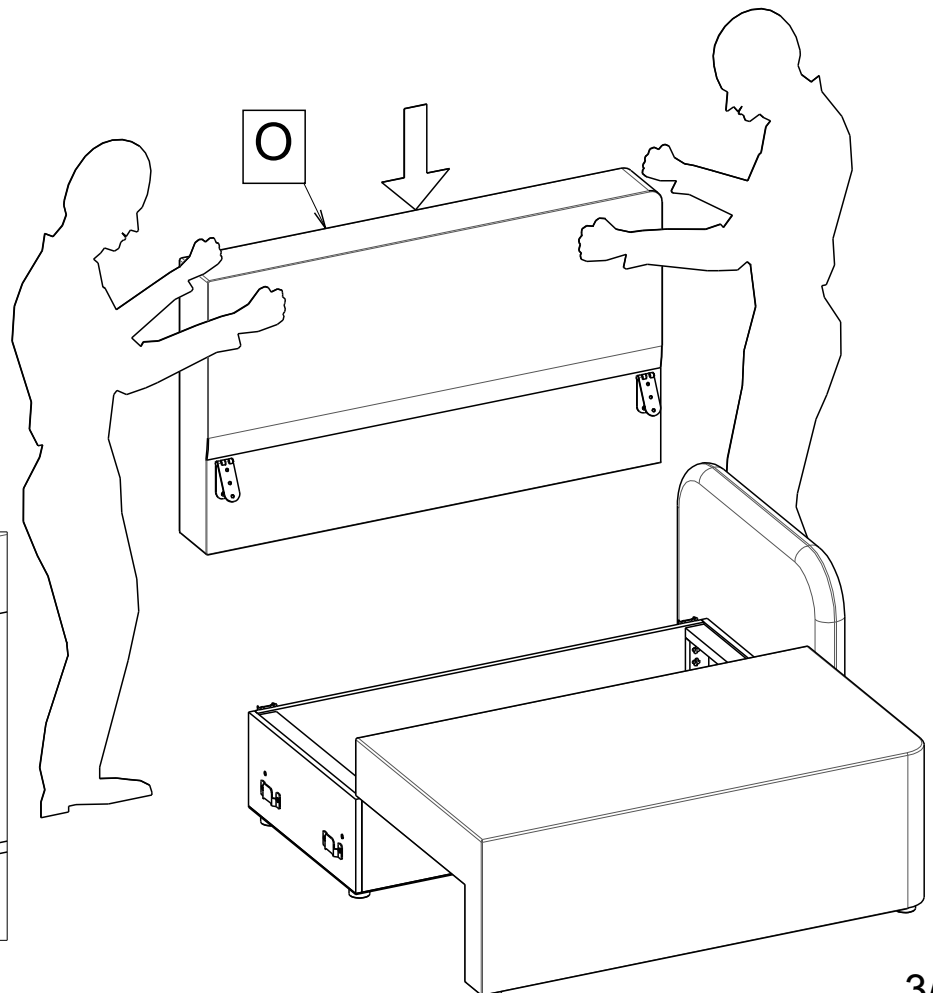
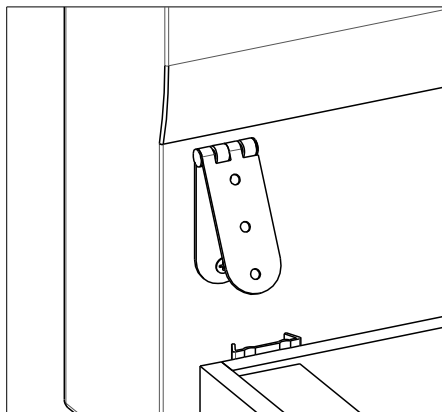
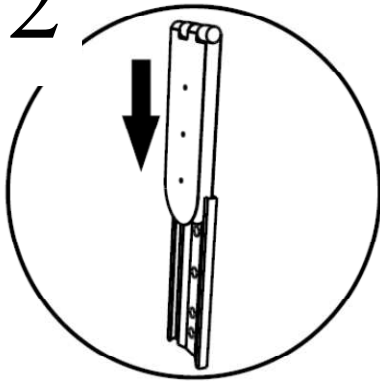
1



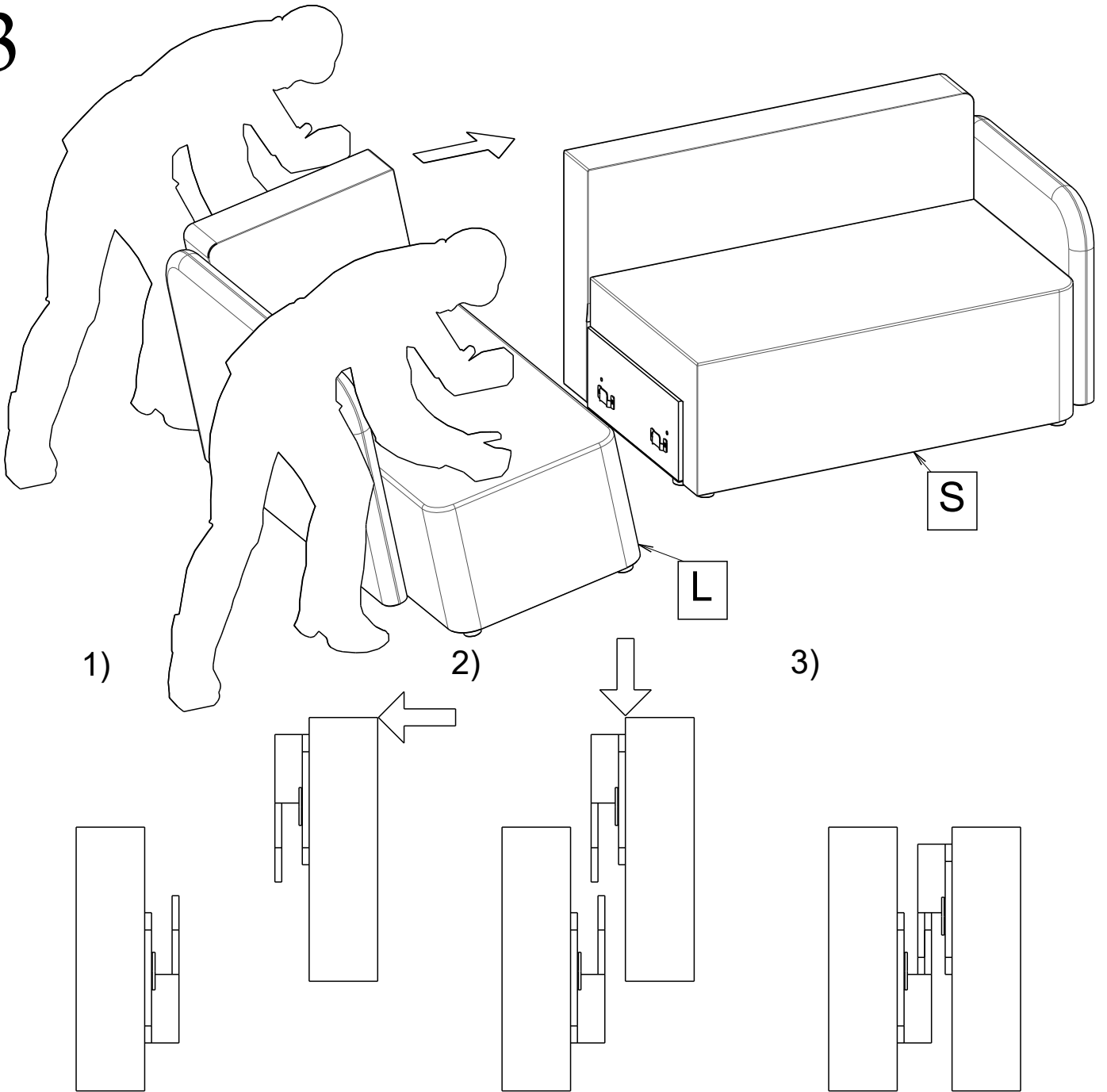
2x



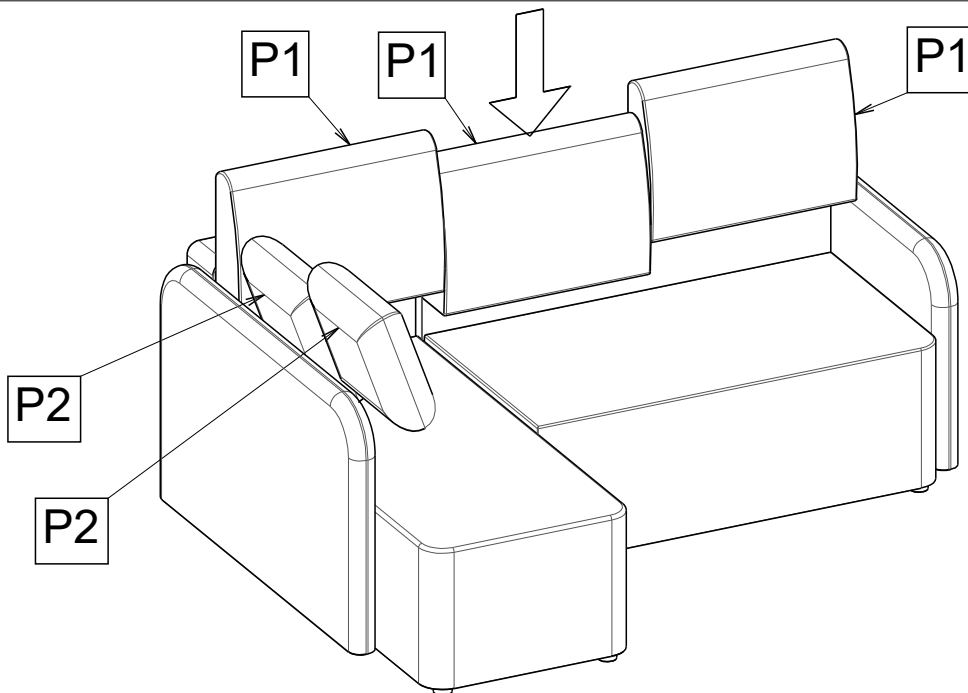
2



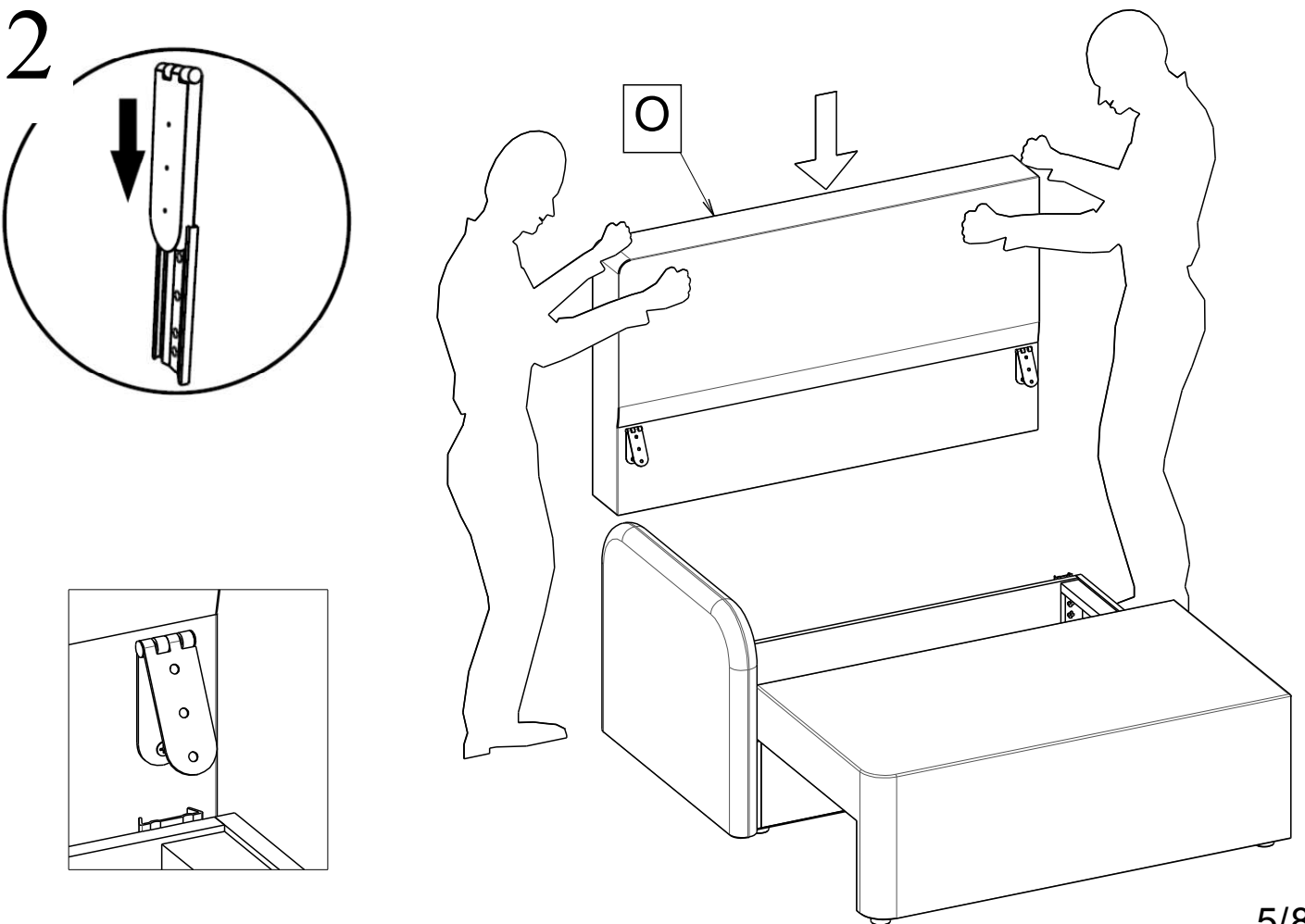
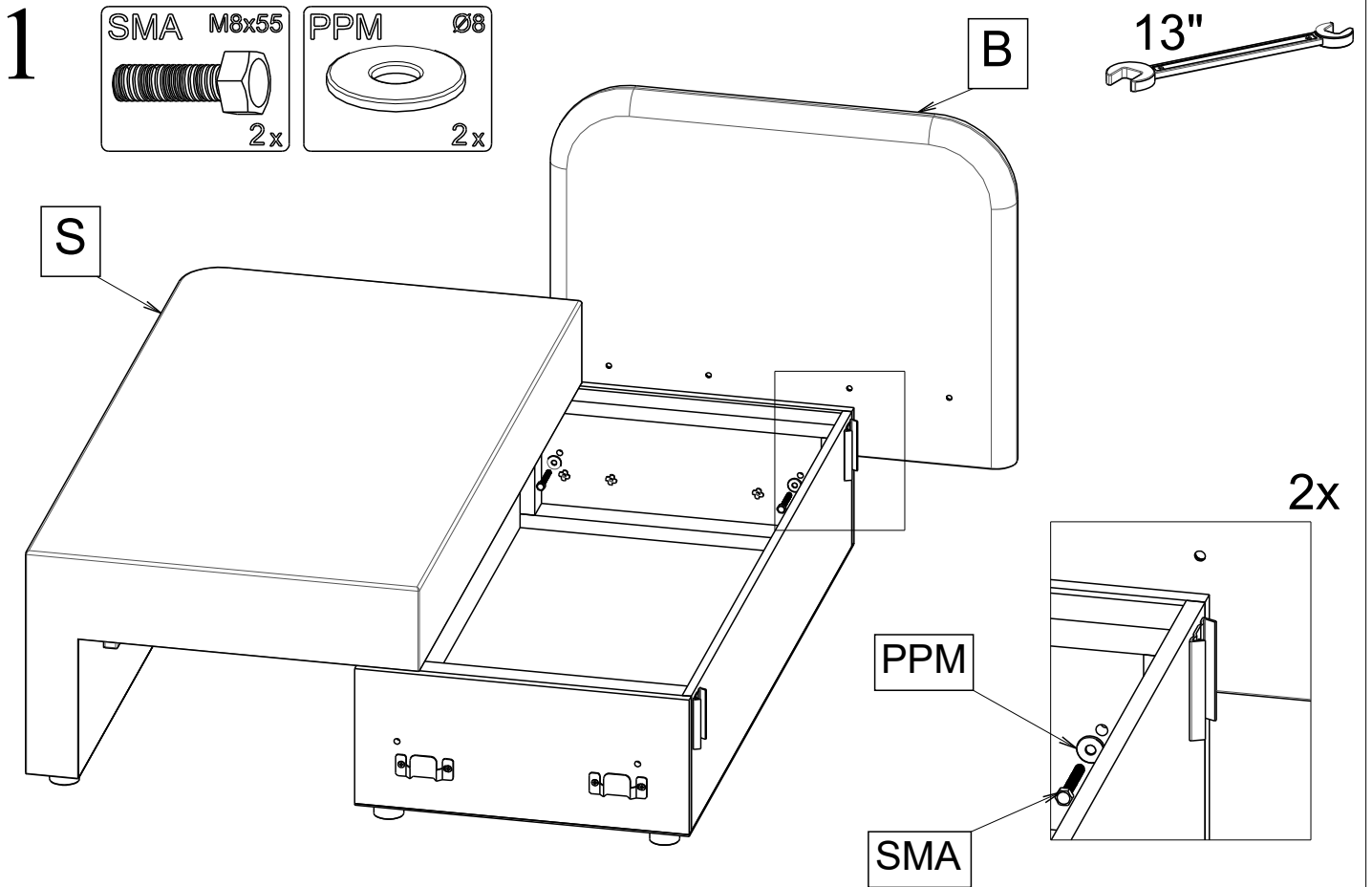
3



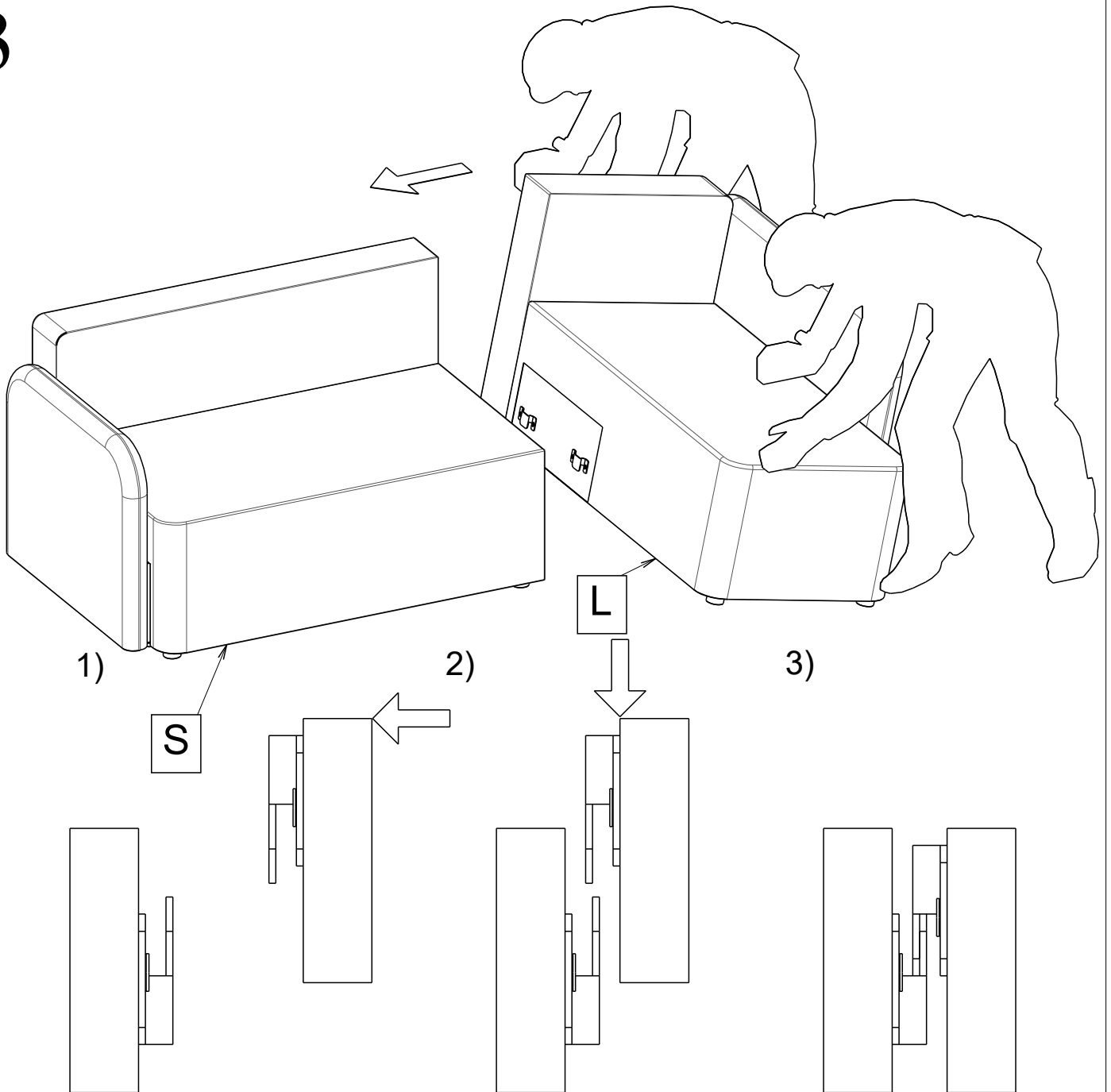
4



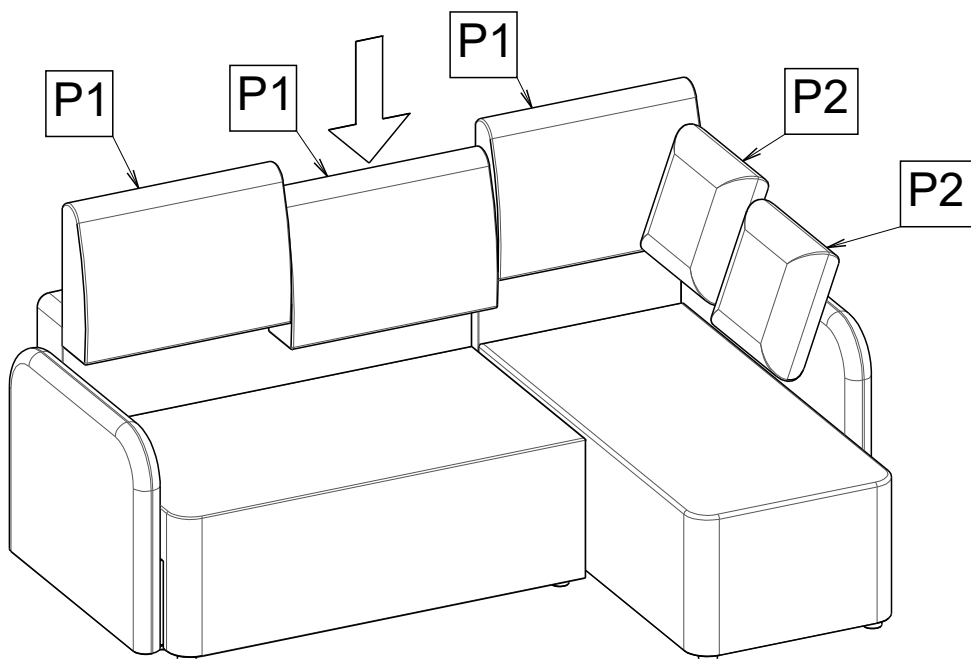
# RIGHT



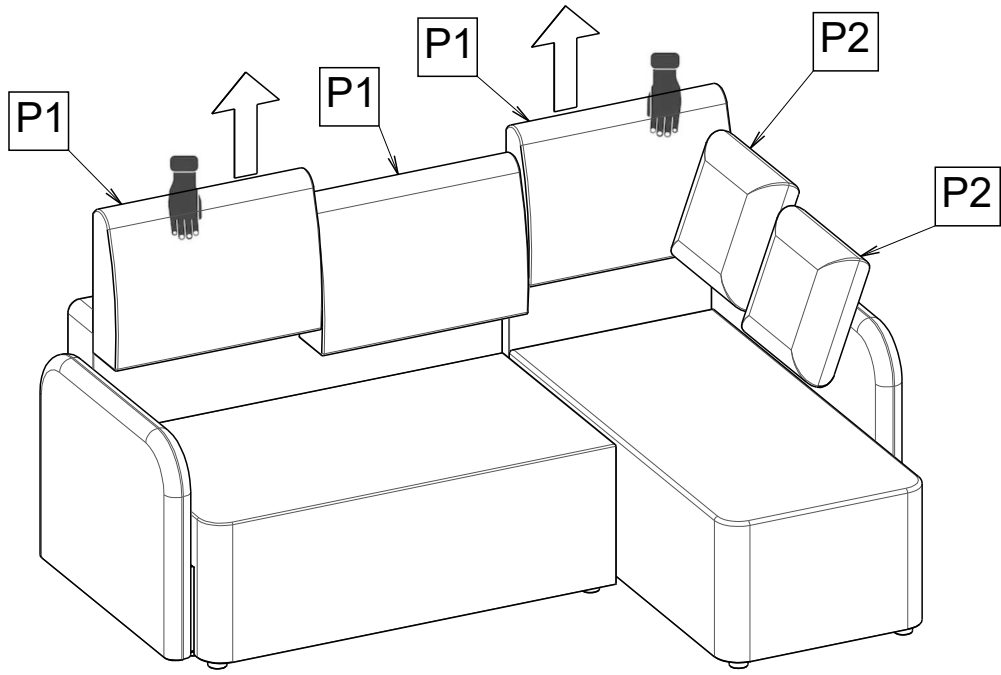
3



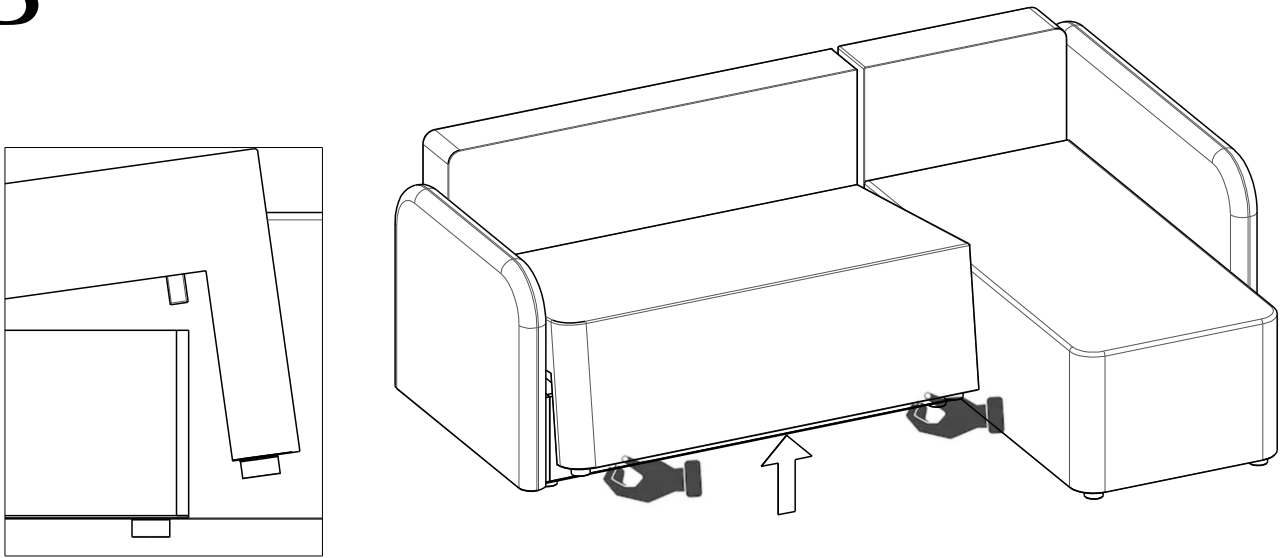
4



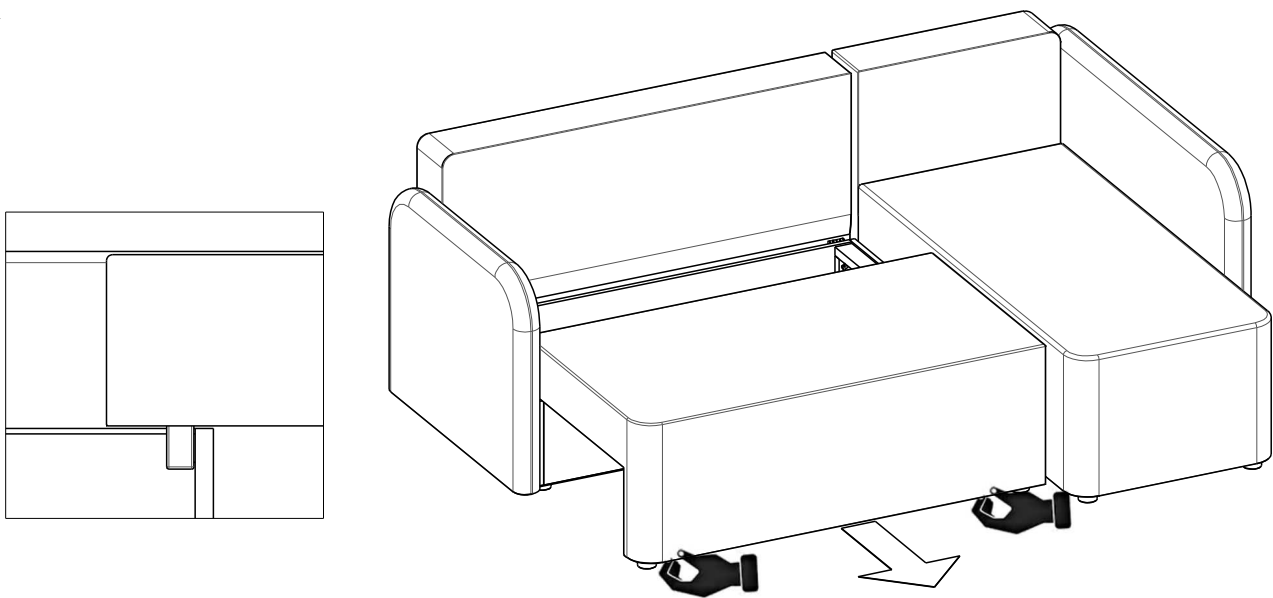
# A



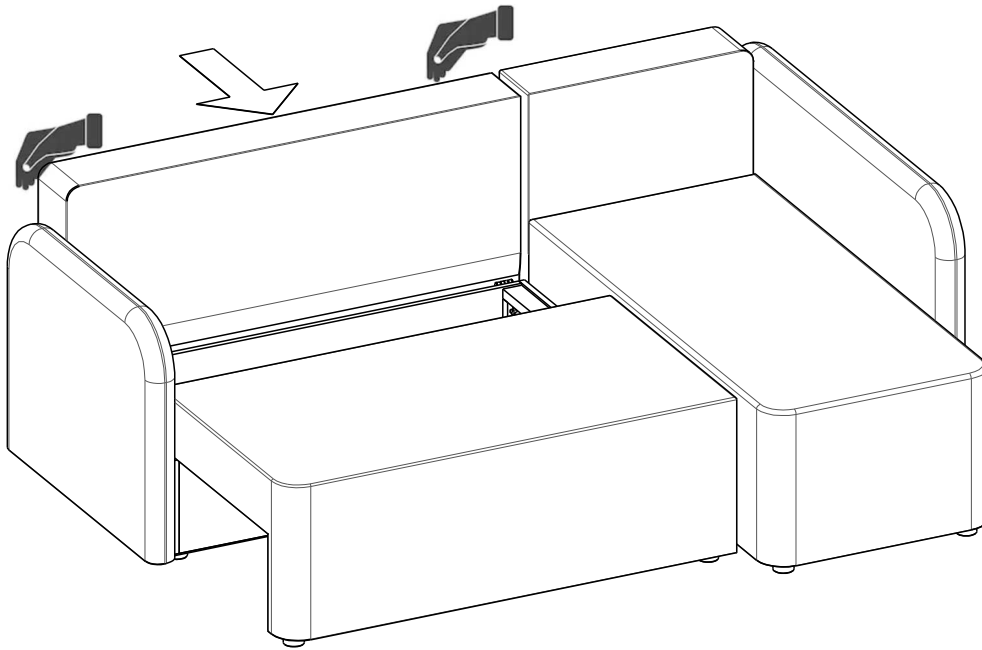
# B



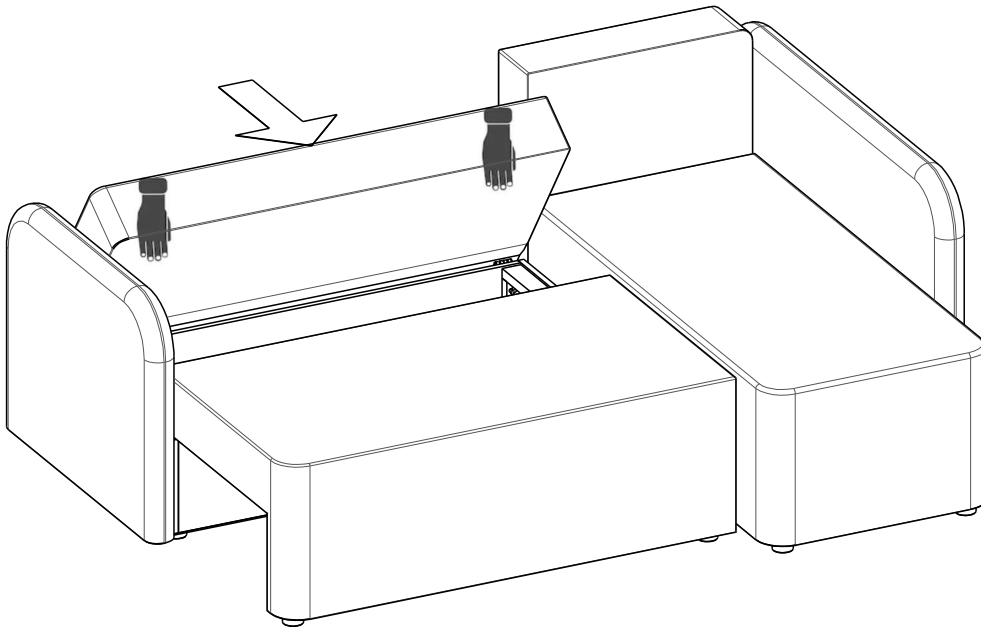
# C



D



E



F

